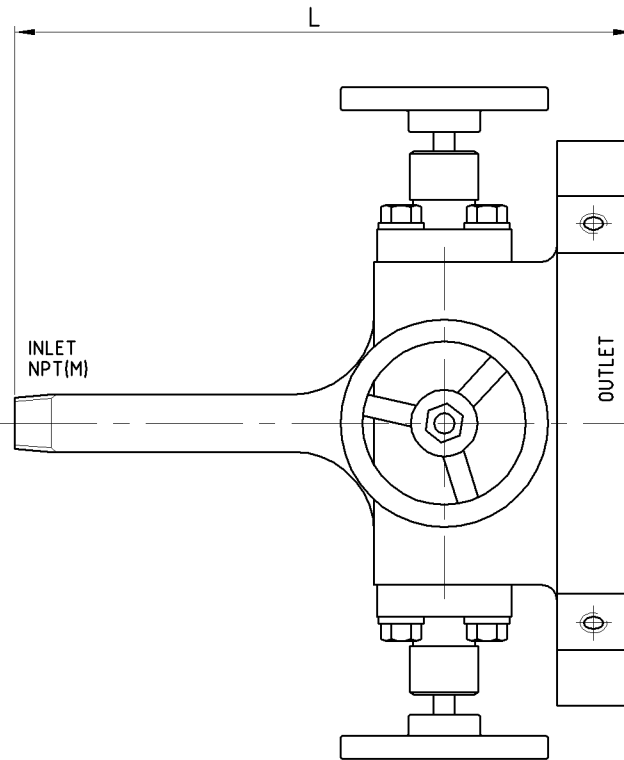
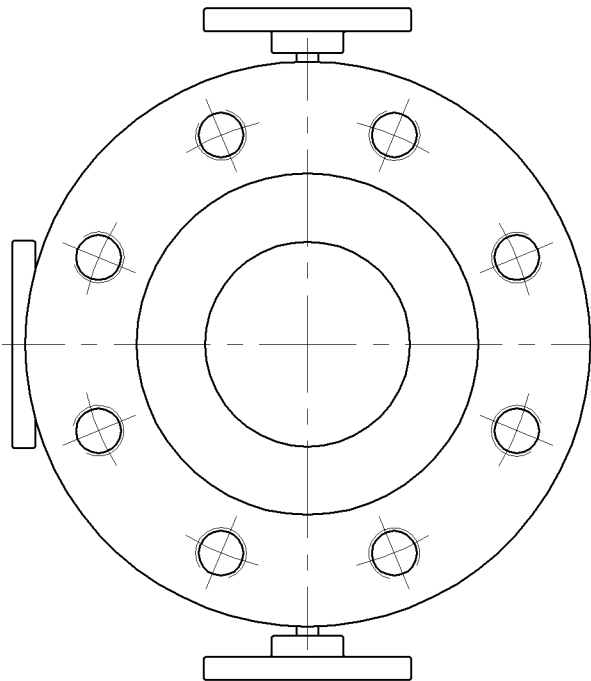
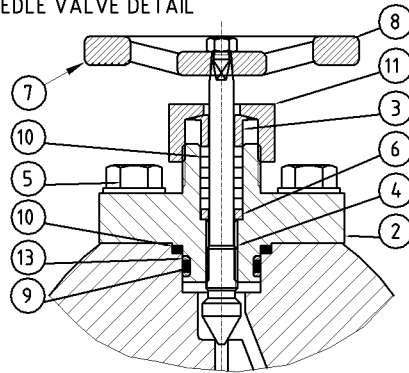
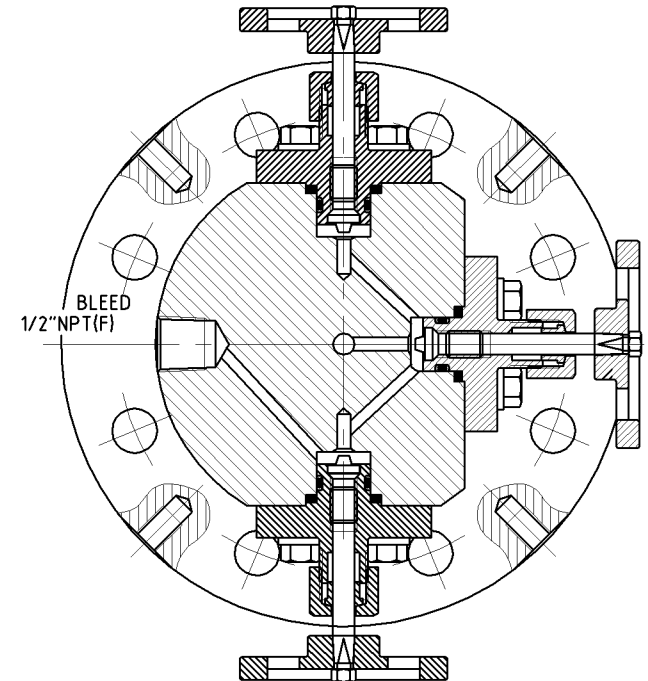


BLEED NEEDLE VALVE DETAIL



13	BAGUE ANTI-EXTRUSION / ANTI EXTRUSION RING
12	PLAQUE D'IDENTIFICATION / FIRM PLATE
11	ECROU DE FOULOIR / PACKING GLAND NUT
10	GARNITURE D'ETANCHEITE / PACKING RING
09	JOINT TORIQUE / O'RING
08	VOLANT / HANDWHEEL
07	ECROU / NUT
06	RONDELLE DE FOND / PACKING STOP RING
05	VIS / SCREW
04	AXE / STEM
03	FOULOIR / PACKING GLAND
02	CHAPEAU / BONNET
01	CORPS / BODY
REP	DESIGNATION



CS 3422
 112,114 avenue de Vendôme
 41034 BLOIS Cedex
 FRANCE

MONOFLANGE

Sie 150 - 2500
 Class 150 - 2500